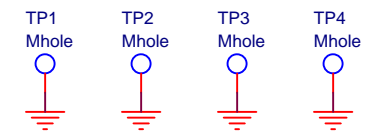
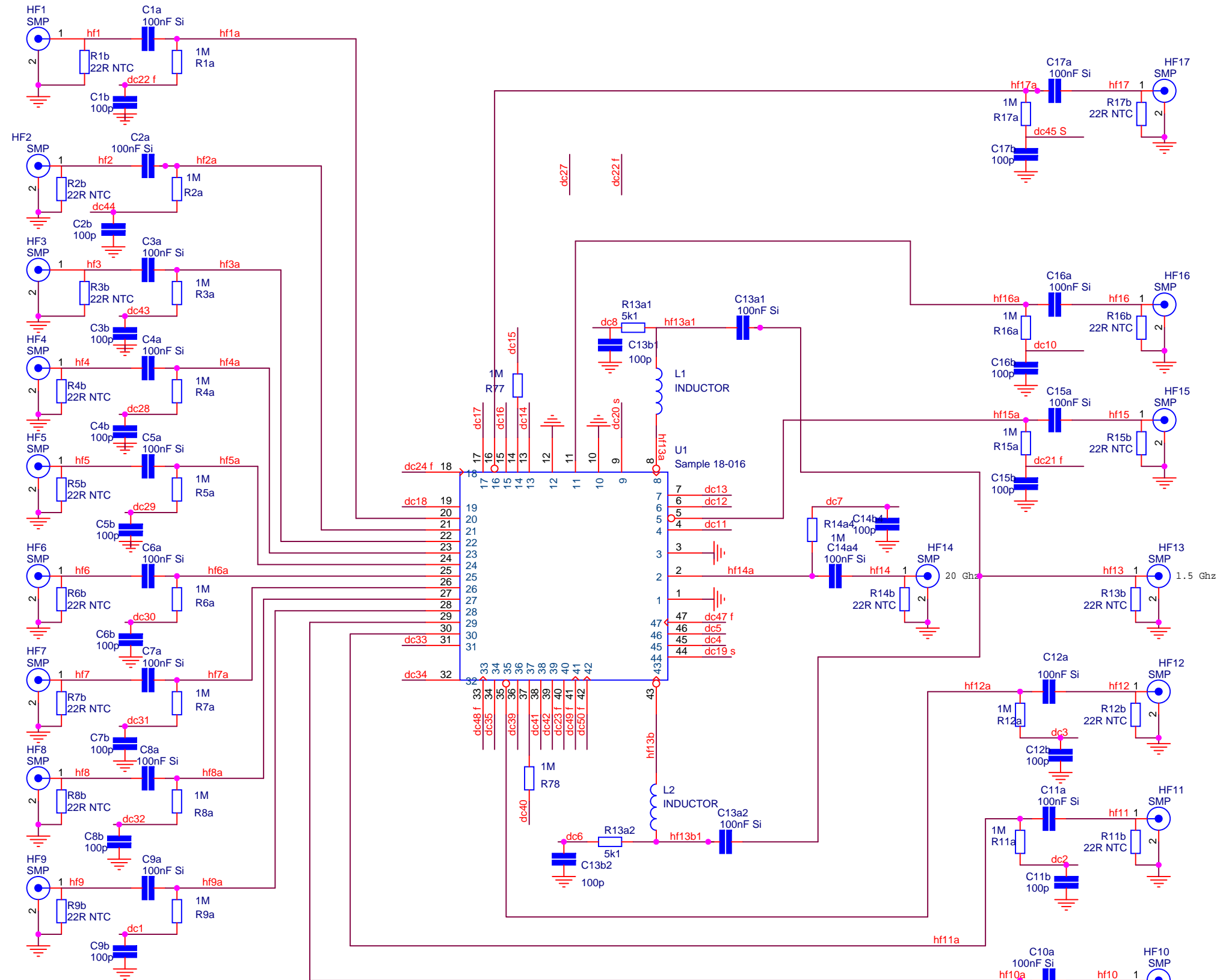
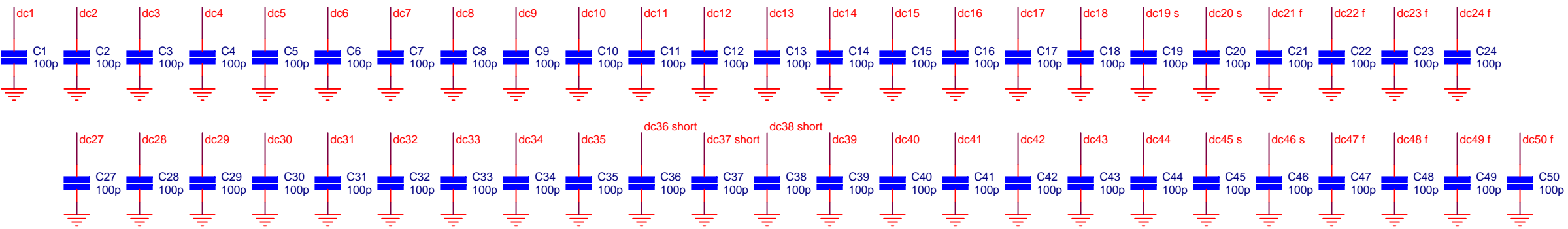
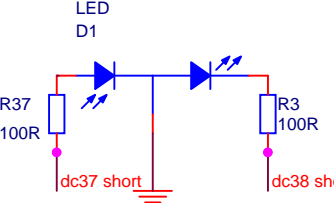
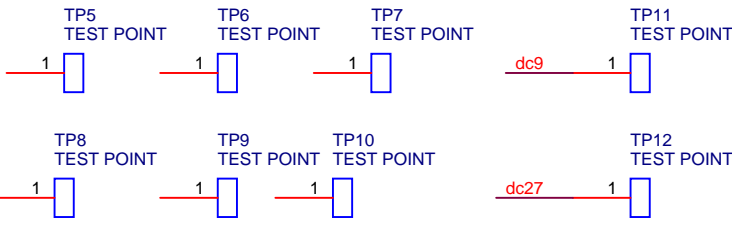


1-18, 27-44 gates 34 Hz
 slow ohmics 250 kHz
 fast ohmics 1.3 MHz



TU Delft Delft University of Technology
 DEMO-CEO
 Van der Waalsweg 8
 2628 CH Delft

Title		
Size A3	Document Number 18-016	Rev 1.0
Date: Thursday, July 12, 2018	Sheet 1 of 1	